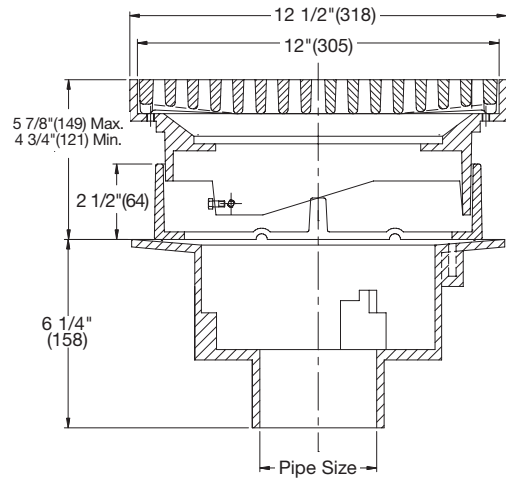


## Area Drains

### FD-340 Area Drain with 12" Round Adjustable Top

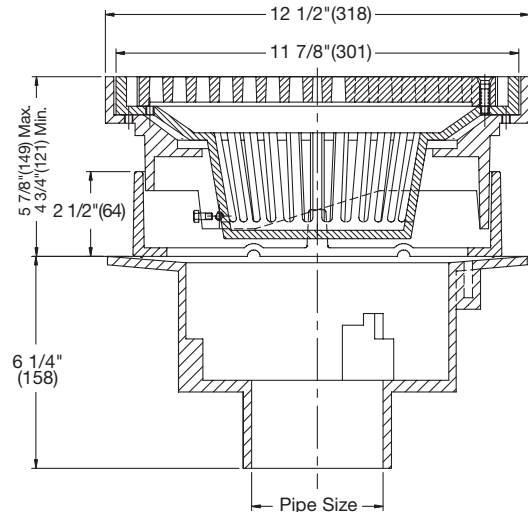


Model Number	Weight (lbs.)	Grate Size	Outlet Size	Grate	List Price
FD-342,3,4,5,6,8	62	12"	2,3,4,5,6,8"	ductile iron	\$1,472.00
FD-342,3,4,5,6,8-1	62	12"	2,3,4,5,6,8"	nickel bronze	2,224.50



### FD-340-SET Area Drain with 12" Round Adjustable Top, Grate Supported By Bucket

Model Number	Weight (lbs.)	Grate Size	Outlet Size	Grate	List Price
FD-342,3,4,5,6,8	62	12"	2,3,4,5,6,8"	ductile iron	\$1,781.00
FD-342,3,4,5,6,8-1	62	12"	2,3,4,5,6,8"	nickel bronze	2,532.50



*Note:* Funnels are ordered separately.  
 See page 63 for details.

#### Options for FD-340, FD-340-Y Series:

Suffix	Description	List Price	Suffix	Description	List Price
None	No Hub	No Add	-34	Closure Plug	\$120.50
P	Push-On Outlet (2,3,4,6" only)	No Add	-60	PVC Body w/Socket Outlet (2,3,4" only)	No Add
T	Threaded Outlet (2,3,4,6" only)	\$80.00	-61	ABS Body w/Socket Outlet (2,3,4" only)	No Add
X	Inside Caulk Outlet (2,3,4,6" only)	No Add	-F4-50	4" Round Cast Iron Funnel	179.00
-5	Sediment Bucket	256.00	-F4-1	4" Round Nickel Bronze Funnel	428.00
-6	Vandal Proof	147.00	-F6-1	6" Round Nickel Bronze Funnel	625.50
-7	Trap Primer Tapping	150.00	-G-50	4x9" Oval Cast Iron Funnel	423.00
-8	Ball Float Backwater Valve (2,3,4" only)	377.50	-G-1	4x9" Oval Nickel Bronze Funnel	872.00
-13	All Galvanized	807.50	-S0	Side Outlet (2, 3, 4" only)	336.00
-21	Secondary Strainer	67.50			